

# Turning Times

THE OFFICIAL NEWSLETTER OF THE CASCADE WOODTURNERS

**APRIL 2017**

Please make sure that all content for the next newsletter reaches me by the 2<sup>nd</sup> of May! [turningwood@bendbroadband.com](mailto:turningwood@bendbroadband.com) Thanks!

**NEXT MEETING: 6:45PM, THURSDAY, APRIL 20<sup>th</sup> AT WILLAMETTE CARPENTERS TRAINING CENTER**

**Cascade Woodturners will be meeting at**

**WILLAMETTE CARPENTERS TRAINING CENTER**

4222 NE 158<sup>TH</sup> Ave, Portland, OR 97230-4906

(For a map, click here <http://mapq.st/1o8wBN0> )

*Use the South door in the middle of the side parking lot*

## **CWA Presidents Message for April 2017**

It's springtime, and this old turner's fancy lightly turns to thoughts of turning - in a warm, dry shop with the window open. Read my safety article to learn how the season caused me to lay a misshapen egg.

**THE OREGON WOODTURNING SYMPOSIUM:** Last month was the Oregon Woodturning Symposium in Albany. I think it was very successful, and most of that success was due to volunteers from our club and the other Oregon woodturning clubs.

Cascade was responsible for Demonstration Room #3, which had Binh Pho, who demonstrated turning thin bowls, airbrushing and piercing, and Jon Magill, who did amazing things with his marvelous, self-designed and self-made rose engine lathes.

I particularly want to thank the following, who helped with Room #3: **Howard Borer, Russ Coker, Kenneth Foster, Ken Kirkman, Phil Lapp, Len Otto, Keith Strauss, Marc Vickery, Alan Wells, and Connie Wheeler.** Also **Jim Piper** lugged the lathe and other big equipment

down and back, **Pete Gibson** co-ordinated transportation for demonstrators, and **Jerry Klug** helped with the vendors. And **Roger Crooks** got our camera to work. Apologies if I left anybody out; I'm very grateful for all the help!

**LANE PHILLIPS IN APRIL:** This month Lane Phillips, a professional turner from Utah, will be our demonstrator at the club meeting on Thursday, April 20<sup>th</sup>. Lane will also be presenting an all-day demo on Friday, April 21<sup>st</sup>, and will teach an all-day, hands-on workshop on Saturday, April 22<sup>nd</sup>.



I saw Lane last year at the Utah Woodturning Symposium. I really enjoyed his demonstrations and learned a lot from them. More detail and pictures are on our website at <http://cascadewoodturners.org> under "Events."

On Friday, at the all-day class, Lane will help us figure out what to do with pieces of wood we have. I've seen Dale Larson and others talk about how to cut the best blanks from a tree, but I haven't ever heard anybody talk about deciding what to do with hunks of wood we already have lying around.

If you bring hunks to the Friday all-day class that you aren't sure how best to turn, Lane will tell you what he thinks. I'm planning to bring a gnarly hunk of dried hardwood that called to me at an auction a couple of years ago, that I've been too chicken to try to turn. I hope you bring some hunks too!

Registration for Lane’s all-day class on Friday is not limited, and costs \$35. Registration for Lane’s all-day, hands-on workshop on Saturday is limited to eight people and costs \$135. Until April 12<sup>th</sup>, only members of Cascade can register for the hands-on workshop on Saturday. You can register and pay for Lane’s events on our website at [CascadeWoodturners.Org](http://CascadeWoodturners.Org) under “Events.”



You can see more about Lane on his website at <http://lanephillips.com> .

**THE APRIL CHALLENGE:** At the March meeting Carl Jacobson gave us an electrifying demonstration, turning a small box and decorating it by burning Lichtenberg figures on to it. The challenge this month is to bring something you have turned *and* burned.

**THE MAY MEETING:**



Founding club member and perennial Treasurer **Howard Borer** will be our demonstrator for our May meeting. I asked Howard to demonstrate for two reasons:

1. Howard was my first woodturning teacher, and he did such a good job I took his eight-week class three times in a row. He has a wonderful way of explaining things.
2. Howard brought several of his colored pieces to the Oregon Woodturning Symposium. They were displayed together on a table in the instant gallery. They were different than pretty much everything else at the instant gallery, and they practically glowed. I want to learn how he does that, and he is going to show us!



**CASCADE’S NEW FACEBOOK PAGE:**

Thanks to **Connie Wheeler**, our club now has a Facebook page. You can find it on Facebook by searching for “Cascade Woodturners” and you can join by clicking the appropriate button. This should be an opportunity for members to share thoughts and photos on stuff related to woodturning. Thanks Connie!

**OPPORTUNITIES:**

**SPURTLE TURNER WANTED:** Paris Wahlstrom who is looking for a turner to turn spurtles 3/4" x 11" long. Paris is a promotional marketing supplier in Hillsboro that has a customer that she had supplying wood spurtles for years. The company in Indiana that made them has gone out of business and I am looking for a new manufacturer. [paris@beyondoregon.com](mailto:paris@beyondoregon.com)

**PIN OAK:** We have a new page on the “Members Only” section of our website that is called “Opportunities.” Right now it lists an upcoming opportunity to get some pin oak and help a charity that is being coordinated by **Len Otto**.

**GREEN ASH WOOD:** Ash is beautiful and we hope our beloved tree will be put to good use. From ground to the split, the trunk is 42" and 113" in circumference. The upper trunk is 69" in circumference and 104" in length to the first branch (now a knot hole). The lower trunk is 59" in circumference and 155" in length to the first branch. Please let us know soon if anyone is interested. Contact Andrea Banfield (360) 953-4814 Milwaukie, OR 97267 [rainfallrest@gmail.com](mailto:rainfallrest@gmail.com)



**ARTS FESTIVAL:** Mindy Leek, 503-533-5555 (office) is looking for wood artists to participate in the Portland Audubon Wild Arts Festival the weekend before Thanksgiving. There is a new application process for 2017. To register and apply, please go to [wafjury.artcall.org](http://wafjury.artcall.org). You may also visit the Wild Arts Festival website for complete information about the festival: [wildartsfestival.org](http://wildartsfestival.org). Dale used to go and visit the festival each year but they moved it to the art show weekend in Troutdale. They have some very nice artists in the show. **APPLICATION MUST BE SUBMITTED BY APRIL 17<sup>th</sup>!**



The Wild Arts Festival 2017 jury application is now available for download at [wildartsfestival.org](http://wildartsfestival.org). Go to the Artist page for complete information about the Festival and the jury process.

*Please note the earlier application deadline*

**Key 2017 dates:**

- April 17** Jury applications must be completed online
- May 17** Acceptance notification *emailed* to artists
- June 28** Booth fee and contract due



AUDUBON SOCIETY OF PORTLAND  
**2017 WILD ARTS FESTIVAL**

Celebrating nature in art and books | November 18 & 19, 2017



**CALL TO ARTISTS**

**TOPS FOR HOSPITALIZED CHILDREN:** Past President Skip Burke is still collecting tops for CWA to give to hospitalized children. Help bring a bit of joy and distraction to a child in a tough spot by turning some finger tops and bringing them to the meeting. More information about turning tops is in Cascade's January newsletter.

Please let me know if you have opportunities that you would like to have listed on our website. You can reach me at [HarveyRogers@Gmail.com](mailto:HarveyRogers@Gmail.com)

## VICE PRESIDENT'S SOAPBOX

VP voice – Spear Point Scrapers

Are you having trouble refining the convex curve of your forms? When I managed the store, there were frequent request for 50 - 80 grit sandpaper. It was most often used for trying to smooth ridges left from a gouge or used in an attempt to refine their form.

My goal is always to get as close as I can with my gouge. However that is not always easy to accomplish. With a little practice, there is a much easier and more effective technique to refine your form than using sandpaper.

My favorite tool to refine a convex form is the Spear Point Scraper. A sharp, properly used Spear Point Scraper will allow you to make the smallest refinements while producing beautiful, wispy shavings. You can use the scraper straight from the grinder however the edge will soon be gone. I have found a burr rolled against a carbide rod is sharper and last much longer before it needs to be sharpened again. After sharpening the scraper on the grinder, smooth the top of the scraper with a diamond hone. Hold the very tip against a carbide rod and angle the scraper slightly toward the carbide rod. Now, with medium pressure, push the top edge of the scraper along a carbide rod. Properly done, it will roll a very small edge of tool steel up on the top of the scraper and create a sharp cutting edge that will last much longer than the edge off of the grinder.

After sharpening the scraper, put it on the tool rest, hold the handle low so the scraper will scrape at about 45 degrees. Start by rubbing the bevel and then roll the scraper toward the cutting edge on top of the scraper until it begins to produce shavings. Use a light touch while pulling the scraper along the form. The full length of the edge cuts very well but the center is the most effective, the "sweet" spot. The tip is less easy to use.

As with all your other turning tools, the Spear Point Scraper will take some practice to perfect, but after you become proficient, you will produce a much cleaner surface with beautiful form you will love sliding your hand over.



I used my Spear Point Scraper to produce these very fine, wispy shavings while refining the outside of a bowl. Notice I was using the mid section of the edge.

If, after reading my voice, anyone is left scratching their head, please talk to me about it. I'm always happy to discuss any aspect of woodturning you like. Or we may end up scratching our heads together.

Jim Piper

[jimpiper@me.com](mailto:jimpiper@me.com)

503-730-0073

V.P. Cascade Woodturners

## **DALE'S CORNER**

Open shop March (actually April 1st) was a success. We had 13 turners here. Some wood got chainsawed. A couple of bowls got roughed out of wet oak. One dry bowl was turned and some duck calls made. Open shop for April will be Saturday April 29th starting at about 9am. Bring an idea and your tools. There is always help from experienced turners with your project.



I just came back from Long Beach California and the World Wood Day 2017 put on by the International Wood Culture Society. The mission of the IWCS is to document the woodworkers all around the world. At Long Beach the IWCS brought in over 300 wood artists from all over the world. The biggest segment was wood carvers. The woodturners had eight power lathes, two human powered lathes from China and two from Canada. About 15 turners participated. I saw some great art work and got to talk to woodworkers from all over the world. I helped a turner from China turn a sphere and another from Kuwait turn a sphere. And we didn't share a common language. Kathleen went to World Wood Day 2015 in Turkey and had a great time. I repeat what I have said many times, I can't believe that turning wood bowls has connected me to the entire world.

World Wood Day 2018 will be around March 21st, the day wood is celebrated around the world.

Dale

## AAW NEWS

### **New Online Resources**

Last month, we were privileged to have Linda Ferber, AAW Program Director from our home office in St Paul visiting us. Linda and I had a few minutes to talk about some of the innovations and changes coming to the AAW web site. They're here! On April 1<sup>st</sup>, **FUNDamentals Online** (<http://www.woodturner.org/?page=WoodFunLP>) and **Discover Woodturning** (<http://www.woodturner.org/?page=DiscoverWTHome>) went live.

**FUNDamentals Online** is particularly useful if you are a new turner. The list of topics includes: **safety, workshop, tools, sharpening, and skills**. For example, if you click the "**Projects**" button, you'll get a list of step-by-step instructions for such projects as French rolling pins, pen turning, small bowls, and a simple lidded box. Some of the projects include articles about the project and videos showing how to make the project.

If you are a mentor, there are pages for you, too. You can use these pages to help you teach a new woodturner how to turn. The two publications currently online are: "**Let's Go for a Spin**" and "**Teacher's Resource and Project Guide**". Both are excellent and I've used them when teaching one of the neighbor kids to turn.

The other page Linda and I mentioned was **Discover Woodturning** (<http://www.woodturner.org/?page=DiscoverWTHome>) This page is intended as a resource to teach the non-woodturning public about woodturning. There is a wealth of information there – valuable not only the non-woodturner, but also to those of us who have been turning for several years.

### **50% Membership Incentive**

**Thank you to the 5 new AAW members who took advantage of our 50% membership incentive and joined AAW last month!** I know that you will appreciate all the AAW offers.



This is a special offer available only to current chapter members who have never been AAW members. Your first year's full membership includes the printed version of the *American Woodturner Journal*, full member access to the web site, and member rates to the symposium. The 50% rate is \$30 for the first year. Because this is available only to chapter members, you'll need to use this special URL <http://tiny.cc/AAWNewGen> or contact the AAW home office at: 651-484-9094 or toll free US 877-595-9094. The offer extends from April 1<sup>st</sup> until June 30<sup>th</sup> 2017.

As always – if you'd like more information or have questions about the AAW, please contact me.

Kathleen  
[woodspinner@gmail.com](mailto:woodspinner@gmail.com)

## **SAFETY FIRST**

### **EGGSELENT TURNING & CHUCK FIT**

It's springtime and I have grandkids. I am therefore compelled by the Laws of Nature to turn some wooden eggs. I thought it would be particularly fun if I could turn some hollow eggs – little egg boxes – that I could put small toys into.

I haven't tried that before, so I did an internet search and sure enough, there are videos out there showing people how to turn hollow eggs. I watched a couple and set off to my shop.

Egg boxes are small and you can turn them from scraps. I thought it would be easiest to start with a larger box, so I grabbed a convenient, largish scrap.

It was only slightly longer than it was wide. I put the blank between centers, turned it into a cylinder, turned tenons on each end for my chuck, stuck a tenon in the 4-jaw chuck, and started thinking about the egg shape I wanted to turn.

Eggs are longer than they are wide, but I hadn't measured an egg to figure out the proportions. I guessed I would need the whole length of this blank to make a decent egg shape, including the tenons.

Of course, I could have turned the blank to a smaller diameter, but I didn't want to "waste" any of the blank. After all, it was spalted cr@pwood. So I planned to have the ends of the egg extend all the way into the tenons that go inside the chuck jaws.

I shaped the middle of the egg, parted it about a third of the way from the wide end, put the short end into the chuck, and hollowed it. All was going well.

## Turning Times

Then I put the long end into the chuck. I started hollowing it. I realized I needed to shape more of the outside near the narrow end, so I would know where to hollow the inside of the pointy end.

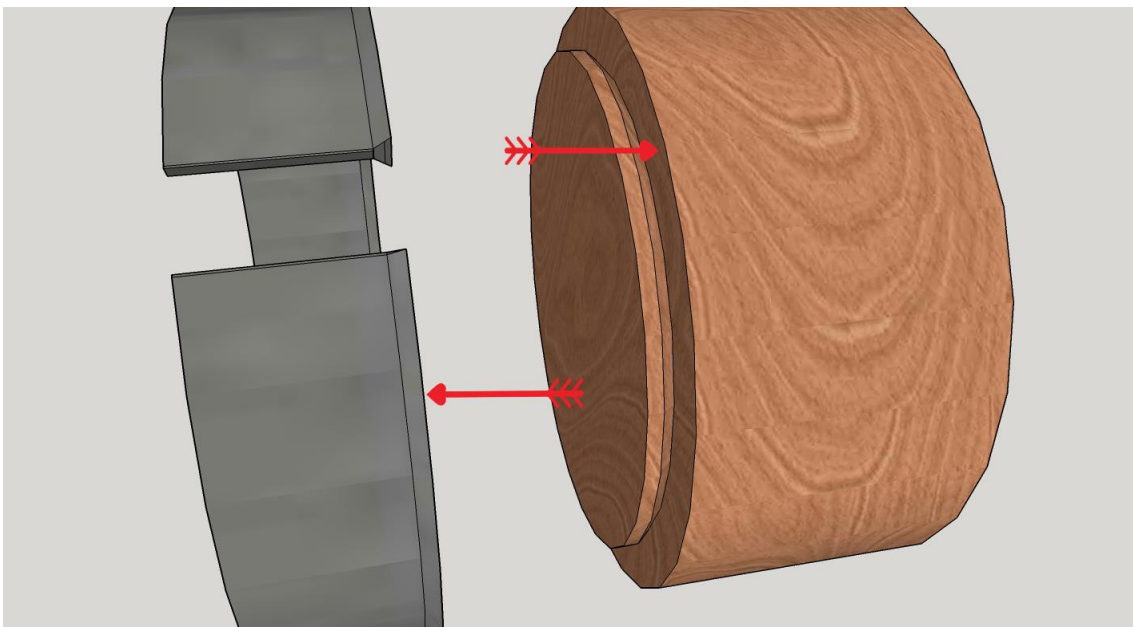
I cut away the wood directly in front of the chuck jaws, so I could shape the outside curve leading toward the pointy end, all the way up to the jaws.

Then I went back to start hollowing. I wasn't careful, and I touched the gouge to the thin rim I had cut earlier. Apparently the rim had moved because I got a small catch. Not big enough to do noticeable damage to the blank, just big enough to make a soft "bang."

But right after the "bang" I heard a whirring, buzzing sound and noticed the spinning blank was looking fuzzy.

I turned off the lathe and realized the tenon had been pulled part way out of the chuck, turning my egg blank into a propeller.

That surprised me, but when I thought about it, it wasn't very surprising. The chuck jaws get their holding power from *two* points of contact with the blank; the part of the blank that gets squeezed inside the jaws, and the part that is flat against the front edges of the jaws.



The two red arrows mark: (1) the flat surface on the blank that the front surface of the jaws needs to rest against, and (2) the front surface of the chuck jaws.

I cut away all the wood in front of the jaws, including the flat surface on the blank that was resting against the front surface of the jaws. That removed a lot of the chuck's holding power, so my small catch provided enough force to pull the blank part way out of the chuck.

If the blank had been bigger and heavier I suspect it would have come flying off the lathe.

This story has two lessons:

1. Make sure you cut a flat surface on the blank that rests tightly against the front surface of the chuck jaws, and make sure you maintain that flat surface as long as you need the chuck to hold the blank firmly.
2. Don't try to get more out of a blank than the blank has to give. I should have reduced the diameter of the blank at the beginning, so that I could turn a pretty egg shape and left wood in front of the chuck jaws. What I did was not only unsafe, my effort to avoid "wasting wood" caused me to turn a shape I did not want and did not intend. Here's my "egg" to prove it:



If you have questions about turning safety or comments on this article please send them to me at [HarveyRogers@gmail.com](mailto:HarveyRogers@gmail.com). I will research questions and let you know what I find out.

Harvey Rogers

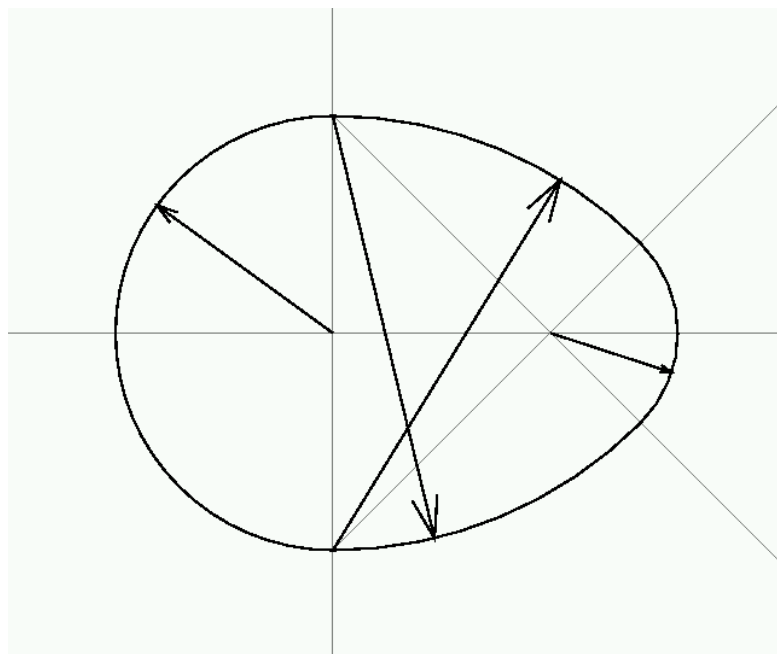
## EASTER EGG TIME

By Jerry Klug

(Reprinted from February 2015 Turning Times)

Let's talk eggs. Easter is fast approaching so it is time to turn some eggs. I sat down with my trusty dial caliper and some of Fred Meyer's Grade AA large eggs. After carefully documenting the dimensions of the diameter, length and distance from the pointy end to the point of maximum diameter on a number of eggs I realized that all eggs are unique. The diameter is fairly constant for all the large eggs I measured at 1-3/4" +/- 1/32". The length varied almost a quarter of an inch with the median of 2-3/8". The measurement of the maximum diameter to the pointy end varied with the overall length but the ratio of the length from the maximum diameter to each end is Fibonacci's ratio (0.6 to 1). The shape of the pointy end varies too.

Having a pattern is useful to make sure there are no flat spots and all curves blend smoothly. I like to use a template so I can feel sure that my turned eggs have a natural look. My first templates were done by tracing the shadow of a real egg onto card stock and cutting the template with care. That worked but I found a better way, draw a "perfect" egg. Ron Washall with the "Wood Turners of the Chippewa Valley" has a great way to draw that "perfect" egg.



Look at Rons full explanation on <https://www.youtube.com/watch?v=Sak9FocvqfA> . On this video Ron shows his full process of turning a "perfect" egg.

In the April 2011 edition of Turning Times is the article on how I constructed my egg chuck. The inspiration came from Dick Sing's book "Turning Ornaments and Eggs". If you are going to make that style of egg chuck, here is a tip I learned from Joe Wagner. When boring the PVC plumbing fitting used for the body of the chuck, belly out the bore in the



middle of the fitting. This leaves the inside diameter in the middle slightly larger to help hold the egg.

Since I made my egg chuck, I found a different style chuck that is shown in the video by Vern Bunn on his web site Turning Trees Into Toothpicks, <http://www.ttit.id.au/eggpage/eggmain.htm#Top> The most noticeable advantage of Vern's design is the elimination of the metal clamps that require constant awareness so that you don't injure yourself when turning.



Vern Bunn egg chuck



Dick Sing style egg chuck

One of my favorite egg videos is by Larry Marley where he turns a hollow egg. [http://marleyturned.com/Video\\_Slider.php?key=15](http://marleyturned.com/Video_Slider.php?key=15)

My early attempts at egg turning left damaged end grain when I parted off the egg. Not only was it hard to sand out but finessing the shape often left burnished wood. Using an egg chuck makes egg turning a lot more satisfying. Happy Easter!

## MEETING SCHEDULE 2017

DATE	DEMONSTRATOR	CHALLENGE
APR 20	<b>Lane Phillips</b>	<i>Burned Turnings*</i>
MAY 18	<b>Howard Borer</b>	
JUN 15	<b>TBAL</b>	
JUL 20	<b>Michael Mocho</b>	
AUG 17	<b>TBAL</b>	
SEPT 21	<b>Sally Ault</b>	
OCT 19	<b>Auction</b>	
NOV 16	<b>TBAL</b>	
DEC	<b>No Meeting</b>	<i>Merry Christmas</i>

\*Burned turnings include pyrographed, lichtenberg, torched, or rescued from the burn pile

\*\* Plan on an all day demo and an all day hands on class following the meeting date

## SYMPOSIUM SCHEDULE

There is something planned for every month that may match your travel plans:

- [Utah Woodturning Symposium 2017, Orem UT May 11th-13th, 2017](#)
- [AAW 31st International Symposium, Kansas City, MO June 22nd-25th, 2017](#)

If you hear of an interesting symposium, e-mail Jerry Klug to add it to the list.

## CWT MENTORS

Cascade Wood Turners has a mentoring program and the member turners providing assistance were listed in the "Resources" section of the club's web page. These members were available for you to contact if you need help in different areas of woodturning. The list did not get transferred with the recent upgrade of the web site. *If you would like to be a mentor yourself and be contacted with woodturning related questions e-mail [turningwood@bendbroadband.com](mailto:turningwood@bendbroadband.com) and I will forward your name and subjects you would like to mentor onto Harvey for a new "MENTORS" listing on the club website.*

## COMPANY STORE

If a number of members want a certain item, we could be low on it. Please contact Bill Karow, (503) 490-0325 [bill.karow@mac.com](mailto:bill.karow@mac.com) a week ahead of the meeting so he could verify it is not out of stock and set it aside for you.

Company Store Item	Price
Accelerator (for Cyanoacrylate adhesives/CA), sprayer, 8 oz	\$7.00 each
Anchor Seal, one gallon	\$14.00 each
Cyanoacrylate adhesives/CA Thin, Medium & Thick, 2oz bottles	\$5.75 each bottle
Sandpaper – Finkat (for dry sanding)	\$0.75 each sheet
Sandpaper, Klingspor alum/oxide w/heavy cotton cloth backing suitable for wet sanding (80, 100, 120, 180, 220, 320 & 400 grits)	\$1.25 each sheet
Walnut Oil - filtered, 16 oz	\$4.00 each

There are still a few chem-proof spray bottles available

## DEMOS - CLASSES – SEMINARS

**Multnomah Arts Center:** Multnomah Arts Center in SW Portland continues to have woodturning classes. Check their catalog or phone 503 823 2787. You can google their website for the catalog. Jerry Harris and Russ Coker are again teaching woodturning at "Multnomah Arts Center". If you are interested, please contact Multnomah Arts Center at 503 823 2787. The cost is very reasonable and all tools, wood and equipment is provided.

**Private Turning Classes:** Anyone interested in 1-on-1 lessons in my shop in eastern Damascus should feel free to contact me: My cell-phone number is 503 901 3401 and email is "[howardborer@yahoo.com](mailto:howardborer@yahoo.com)". Latest update on status of Franklin High. Students will return to the new Franklin High in middle of summer. There will be a new metal shop and wood shop but greatly reduced in size. There will be evening classes in the metal shop but at least for the September quarter there will not be evening classes in the wood shop. The longer term situation of the wood shop will be decided by sometime in June. I get my updates from Bill Bree, who is willing to take calls about the school's status any time. His home number is 503.341.6689.

**Rockler Woodworking** 503-672-7266, [www.rockler.com](http://www.rockler.com)

- Build a Pen, \$25 (includes all materials), April 16<sup>th</sup> 8:00-11:00
- Beginning Bowl Turning, \$35 (includes all materials), April 23<sup>rd</sup> 8:00-11:00
- Pen Turning Demo, May 20<sup>th</sup> 11:00 AM

**Woodcraft** 503-684-1428, [www.woodcraft.com](http://www.woodcraft.com)

- Beginning Lathe Fundamentals by Tim Kluge, \$125, Sat, Apr 15<sup>th</sup> 10:00-4:00
- Basic Bowl Turning by Tim Kluge, \$125, Sun Apr 16<sup>th</sup> 10:00-4:00
- Beginning Lathe Fundamentals by Tim Kluge, \$125, Sat, May 13<sup>th</sup> 10:00-4:00
- Basic Bowl Turning by Tim Kluge, \$125, Sun May 14<sup>th</sup> 10:00-4:00
- Winged Bowl by Tim Kluge, \$150, Sat, May 27<sup>th</sup> 10:00-4:00

**Woodcrafters** 503-231-0226, 212 NE 6th Ave, Portland, [www.woodcrafters.us](http://www.woodcrafters.us)

- Woodturning Demo by Fred Kline, Sat Apr 29<sup>th</sup>
- Wood Sphere Turning Demo by Poest, Sat May 6<sup>th</sup>
- Woodturning Demo by Fred Kline, Sat May 27<sup>th</sup>

## CLASSIFIEDS

To place or continue an ad, contact Jerry Klug at [turningwood@bendbroadband.com](mailto:turningwood@bendbroadband.com). Your ads will be in the next newsletter after receiving your ad. Let us know if you want your ad for more than one month.

**WANTED:** Filters for Triton powered face shield (no longer available from USA suppliers). Help in determining useable filter material from another source would be a great help. Ken Kirkman [kenpegkirkman@gmail.com](mailto:kenpegkirkman@gmail.com) 360-687-9866



**WANTED:** Looking for a 6" jointer to buy. Contact Mike Larson 503-616-5538

**FOR SALE:** I'm not turning big wood anymore so I'm looking for someone that has a Nova lathe and wants a custom base. I had this base built to allow for heavy work in the standard direction but then in addition be able to do the same with a larger swing with the head rotated 180 degrees. There's a vacuum port plus compressor lines for vessel clean out. My McNaughton center saver, Woodcut hollow form tools and a shop built three wheel center support go along with some wood that remains. John Wirth 360-213-9191.

**FOR SALE:** New 5 piece Crown Sheffield HSS turning tool set, Sheffield steel at lower than Chinese steel price, Wolverine sharpening jig and an 8" slow speed grinder still in the box. Just what

you need for clean cuts. Call Jerry (541) 550-6299



**FOR SALE:** Oregon Burl and Blank -Hardwood and softwood burls  
 -Hollow form turning wood -Pen blanks -Bowl blanks -Cut to order  
 Recently sold and/or current material - Douglas Fir root burl, Maple burl slabs, Cherry burl bowl blank,  
 Madrone pen blanks, dimensional rough sawn Cherry boards, Madrone, Pacific Yew , Oregon White Oak,  
 Black Walnut , Oregon Ash  
 For pricing and pictures call Brandon Stadel 503-409-5677 [brandonstadel@yahoo.com](mailto:brandonstadel@yahoo.com)

**FOR SALE:** Over 18 tons of interesting turning wood logs and chunks in Vancouver; Apricot Avocado  
 Black locust Black walnut Blue spruce Bottle brush Camphor (Calif. Bay Laurel?) Carob Cherry Elm  
 English laurel English walnut Juniper Liquid amber Magnolia Maple (big leaf) Maple (hard) Norway maple  
 Ornamental mulberry Pacific dogwood Pepper tree Plum Silver maple White oak Yellow poplar Tim also  
 has dried boards and blanks for turning of; Mahogany, Olive, Chestnut, Redwood, Walnut, Maple, Oak,  
 Purple heart and more. Tim also has some rocks and fossils for accents. View an interview of Tim at  
<http://youtu.be/d51wpml80f4> Prices are about half of retail (i.e. Cook Woods or Craft Supply). Contact Tim  
 at [wtsmall@comcast.net](mailto:wtsmall@comcast.net) 360-989-7721.

## CASCADE WOODTURNERS OFFICERS AND CONTACTS

President	Harvey Rogers	(646) 660 3669	<a href="mailto:harveyrogers@gmail.com">harveyrogers@gmail.com</a>
Vice President	Jim Piper	(503) 730-0073	<a href="mailto:jimpiper@me.com">jimpiper@me.com</a>
Treasurer	Howard Borer	(503) 658-3409	<a href="mailto:howardborer@yahoo.com">howardborer@yahoo.com</a>
Secretary	Bill Herrold	(503)-490-0325	<a href="mailto:billtrade@me.com">billtrade@me.com</a>
Safety Officer	Harvey Rogers	(646) 660 3669	<a href="mailto:harveyrogers@gmail.com">harveyrogers@gmail.com</a>
Member at large	David Williams	(503) 997-2541	<a href="mailto:dwilliams97007@yahoo.com">dwilliams97007@yahoo.com</a>
Member at large	Marc Vickery	(503)-275-5207	<a href="mailto:halepaumarc@gmail.com">halepaumarc@gmail.com</a>
Video Librarian	Geraldine Clark	(503) 978-1973	<a href="mailto:clark7291@comcast.net">clark7291@comcast.net</a>
Book Librarian	Mike Worthington	(503) 640-0373	<a href="mailto:mikedw47@comcast.net">mikedw47@comcast.net</a>
Company Storekeeper	Bill Karow	(503) 490-0325	<a href="mailto:bill.karow@mac.com">bill.karow@mac.com</a>
Web Mistress	Kathleen Duncan	(360) 574-0955	<a href="mailto:woodspinner@gmail.com">woodspinner@gmail.com</a>
Newsletter Editor	Jerry Klug	(541)550-6299	<a href="mailto:turningwood@bendbroadband.com">turningwood@bendbroadband.com</a>
Tops Czar	Skip Burke	(503) 233-4263	<a href="mailto:drgramp@comcast.net">drgramp@comcast.net</a>

## CASCADE WOODTURNERS SPONSORS

Support of the sponsors listed helps maintain our hobby supplies. Remember that your current membership card is good for discounts at these firms. For additional information see the website <http://www.cascadewoodturners.com/sponsors.htm> .

**Gilmer Wood Company** Exotic and Domestic Hardwood from Around the World  
**KLINGSPOR Abrasives, Inc.** **Rockler Woodworking & Hardware** Carbide Saw  
**Woodcraft Supply** Woodcrafters [www.milwaukiehardwoods.com](http://www.milwaukiehardwoods.com)






**CRAFT SUPPLIES USA**  
THE WOODTURNERS CATALOG

CRAFT SUPPLIES USA *The Woodturners Catalog* [www.woodturnerscatalog.com](http://www.woodturnerscatalog.com)  
1287 E 1120 S Provo, UT 84606 801-373-0919

**CARBIDE SAW**  
Sales & Sharpening



**Tad Wille**

- Saws
- Custom Cutters
- Routers
- Bandsaws
- Knives
- Abrasives

4040 SE Division  
Portland, OR 97202

Ph: 503-235-2260  
Fx: 503-233-1807



Susan & Les at North Woods  
[service@nwfiguredwoods.com](mailto:service@nwfiguredwoods.com)  
<http://www.nwfiguredwoods.com/>  
 56752 SW Sain Creek Rd  
 Gaston Or 97119  
 PO Box 808  
 Forest Grove OR 97116  
 503-357-9953 800-556-3106



*Happy Woodworking to you!  
Les and Susan!*



**WOODCRAFTERS**  
Everything for the Woodworker, and More!

Check Out Our  
Woodturning Lathes  
& Accessories from  
**ONEWAY**  
MANUFACTURING

**POWERMATIC**

**JET**  
Domestic & Exotic Hardwoods,  
Sharpening & Finishing Supplies

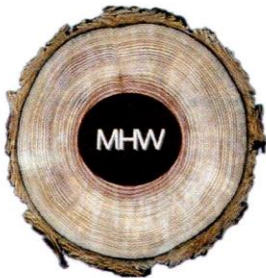
**Razor-Sharp Edge**  
- M42 Cobalt HSS

**Strong Handles**  
- Made with solid aircraft grade aluminum

**Reduced Chatter**  
- A round bit fits into a round hole for reduced chatter  
- Our solid aluminum handles greatly reduces vibration

**Carter and Son Toolworks**  
Quality At Its Best  
Made in the USA

212 N.E. Sixth Ave. • Portland, Oregon 97232-2976 • phone: 503-231-0226 • toll free: 800-777-3709 • [www.woodcrafters.us](http://www.woodcrafters.us)



Milwaukie Hardwoods, LLC

- ◆ Turning stock, Burl, Spalted Wood, Slabs and lumber available
- ◆ 10% discount to CWT members
- ◆ Portable milling, transporting, drying and sale of locally harvested urban hardwoods

5111 SE Lake Rd, Milwaukie OR 97222

[www.milwaukiehardwoods, LLC](http://www.milwaukiehardwoods, LLC),

**503-309-0309**